

Installation and Operational Guide

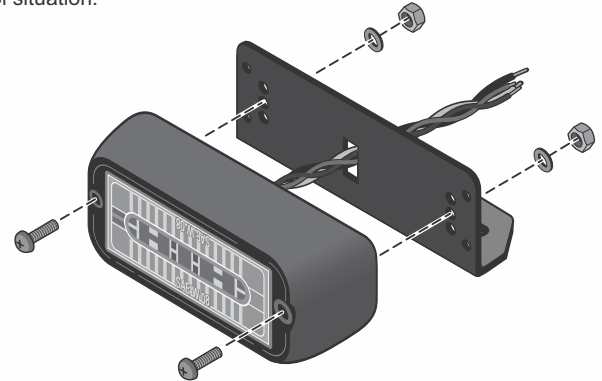
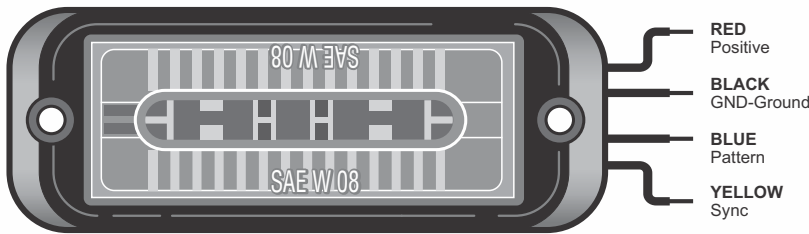
Please read the manual below for important information on your Viviox product that could prevent damage or serious injury. Failure to follow our instructions and other safety precautions could result in serious injury to you or your passengers, and/or product and vehicle damage.

Important: The installation technician and operator must read this manual before starting installation or operation of your new product. They must have a thorough understanding of automotive systems, electronics and procedures.

WARNING: Please understand that the user and installer assume ultimate, complete and full responsibility in determining proper mounting location and positioning. When installing, consider a location based on its ability to provide total safety to all passengers.

WARNING: DO NOT USE CIRCUIT BREAKERS WITH THIS PRODUCT! All customer-supplied wires that connect with the positive (+) end of the battery must be able to support 125% or more of the maximum operating current. They MUST be fused with the battery to handle the current.

- Before drilling and installation, check both sides of your mounting service.
- Grommets should be installed into all wire passage holes.
- Please read your vehicle's owner's manual; it contains important information about the airbag deployment area. This product should NOT, under any circumstances, be installed in the deployment area of the vehicle's airbag. Do NOT route any wires in this area. Having equipment mounted or located in this area is a serious risk; it could reduce or damage the airbag's effectiveness, or even become a projectile that could result in serious injury or death.
- This device may feature powerful, bright, high-intensity LED lights. DO NOT look at the lights directly, as momentary blindness and/or permanent eye damage can occur.
- DO NOT try to activate or control this product during a hazardous or dangerous driving situation.
- If your device is controlled or activated by a remote, please double check that the control is in a place that will allow for both the control itself, as well as the vehicle, to be used safely in any driving condition and/or situation.



OPERATION

1. Changing Patterns: Patterns can be changed by momentarily connecting the blue wire to the ground of your vehicle's battery.

Less than a second	Next Pattern
1-3 Seconds	Previous Pattern
3-5 Seconds	Factory Default
5+ Seconds	Turn off and Reset

1. Syncing Instructions: Configure both intensity light heads to the same pattern in Phase 1 and connect the yellow wires from each light head together.

2. Alternating Light Heads: Set every other light to the same pattern in Phase 2 and connect the blue wires. To better understand how this feature works, each light head coming from the factory will display Phase 1. In order to have one Intensity light head alternate with another, every other light needs to be advanced to the current pattern's Phase 2.

MOUNTING

1. Place the unit against the mounting surface.
2. Mark the areas where the mounting holes are to be drilled. Confirm that no vehicle parts could be damaged by the drilling process.
3. Using a bit sized for a #6 sheet metal screw, drill two mounting holes and a 0.4" dia. wire passage hole(s) must also be drilled.
4. Route the wires through the hole(s) in the gasket and through the wire passage hole(s) in the mounting surface. Secure the light-head to the mounting surface using the screws provided.

SPECIFICATIONS

WITH FLANGE

Dimensions: 3.875" L, 1.25" D, 1.5" H

WITHOUT FLANGE

Dimensions: 2.875" L, 1.25" D, 1.25" H

Input Voltage: 10-30VDC Input Current: 0.8A (MAX)

FLASH PATTERNS

1: Single 120 FPM Ph1-Color 1&2	24: Quad 75 FPM Alt. Color 1<-->2
2: Single 120 FPM Ph2-Color 1&2	25: Quad 120 FPM Ph1-Color 1&2
3: Single 120 FPM Ph1-Color 1	26: Quad 120 FPM Ph2-Color 1&2
4: Single 120 FPM Ph2-Color 2	27: Quad 120 FPM Ph1-Color 1
5: Single 120 FPM Alt. Color 1<-->2	28: Quad 120 FPM Ph2-Color 2
6: Single 300 FPM Ph1-Color 1&2	29: Quad 120 FPM Alt. Color 1<-->2
7: Single 300 FPM Ph2-Color 1&2	30: Quint 120 FPM Ph1-Color 1&2
8: Single 300 FPM Ph1-Color 1	31: Quint 120 FPM Ph2-Color 1&2
9: Single 300 FPM Ph2-Color 2	32: Quint 120 FPM Alt. Color 1<-->2
10: Single 300 FPM Alt. Color 1<-->2	33: 2 Double 75 FPM, 4 Quad 120 FPM
11: Single 75 FPM Ph1-Color 1&2	34: Module Flash Color 1<-->2
12: Single 75 FPM Ph2-Color 1&2	35: AUTORUN
13: Single 75 FPM Alt. Color 1<-->2	36: STEADY BURN
14: Double 75 FPM Ph1-Color 1&2	37: OFF
15: Double 75 FPM Ph2-Color 1&2	
16: Double 75 FPM Alt. Color 1<-->2	
17: Double 120 FPM Ph1-Color 1&2	
18: Double 120 FPM Ph2-Color 1&2	
19: Double 120 FPM Alt. Color 1<-->2	
20: Quad 75 FPM Ph1-Color 1&2	
21: Quad 75 FPM Ph2-Color 1&2	
22: Quad 75 FPM Ph1-Color 1	
23: Quad 75 FPM Ph2-Color 2	